

AMENDMENT NO. 1

NO.GAIL/JHA/C&P/SR18049/C-05/08

01.07.2008

To
M/s GAIL Web Developers,

Sub: Addendum to tender for “ROU Maint./Upkeeping of RR/SV Station“at Jhabua.

Ref:- Tender No.GAIL/SR 20018049/3300025261/JHA/C-05/08 dt. 26.06.08.

Dear Sirs,

With reference to tender for ROU Maint./Upkeeping of RR/SV Stations under Jhabua Region the requisite drawings are added to the above tender as per scope of work.

The above drawings are integral part of bid documents.

All other terms and condition shall remain unchanged.

Thanking you,

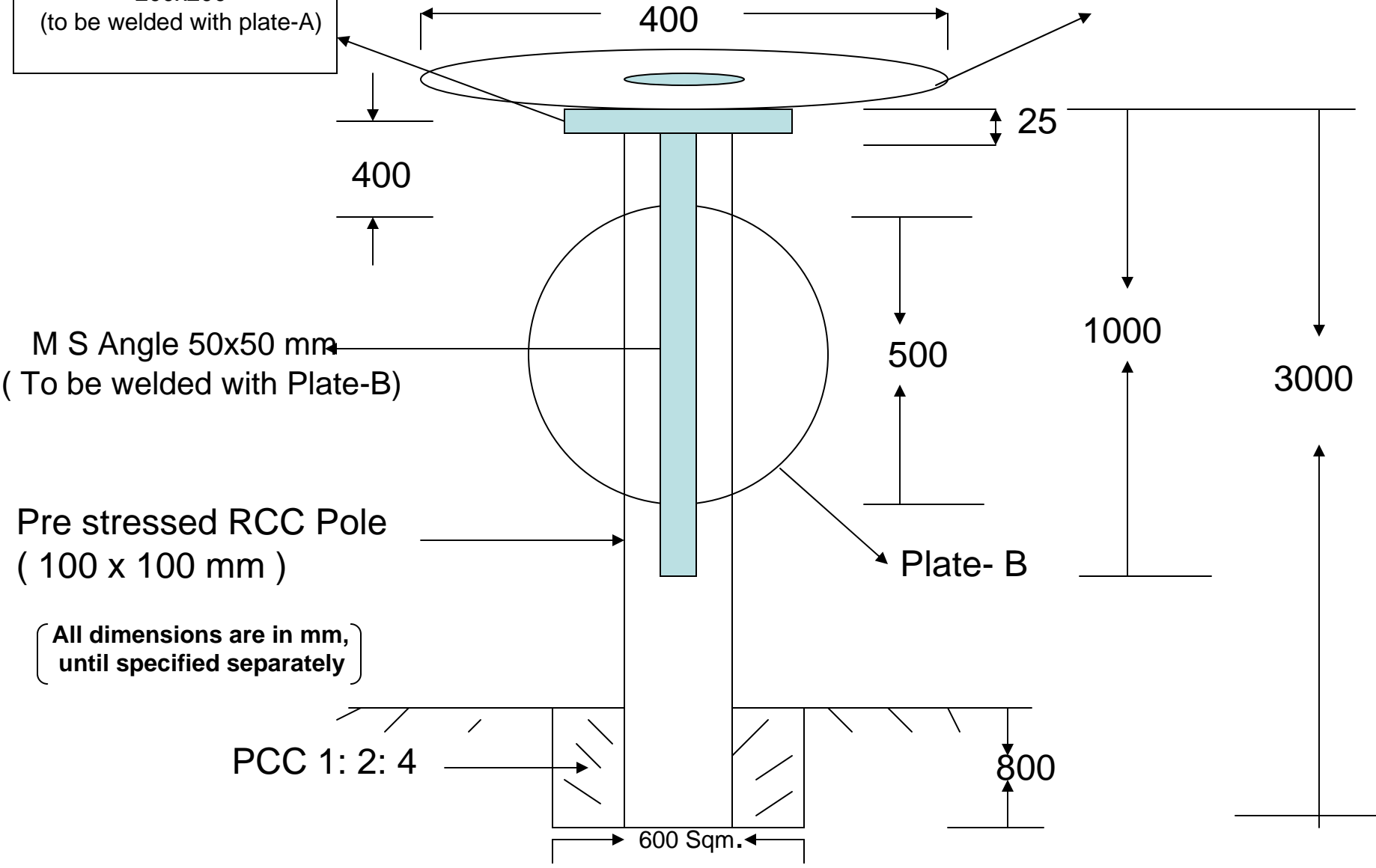
Yours faithfully,
For GAIL (India) Ltd

Sr.Officer (C&P)

Direction Marker (Front View)

MS Plate (4 mm thick)
200x200
(to be welded with plate-A)

Plate - A



M S Angle 50x50 mm
(To be welded with Plate-B)

Pre stressed RCC Pole
(100 x 100 mm)

(All dimensions are in mm,
until specified separately)

PCC 1: 2: 4

600 Sqm.

800

Plate- B

500

1000

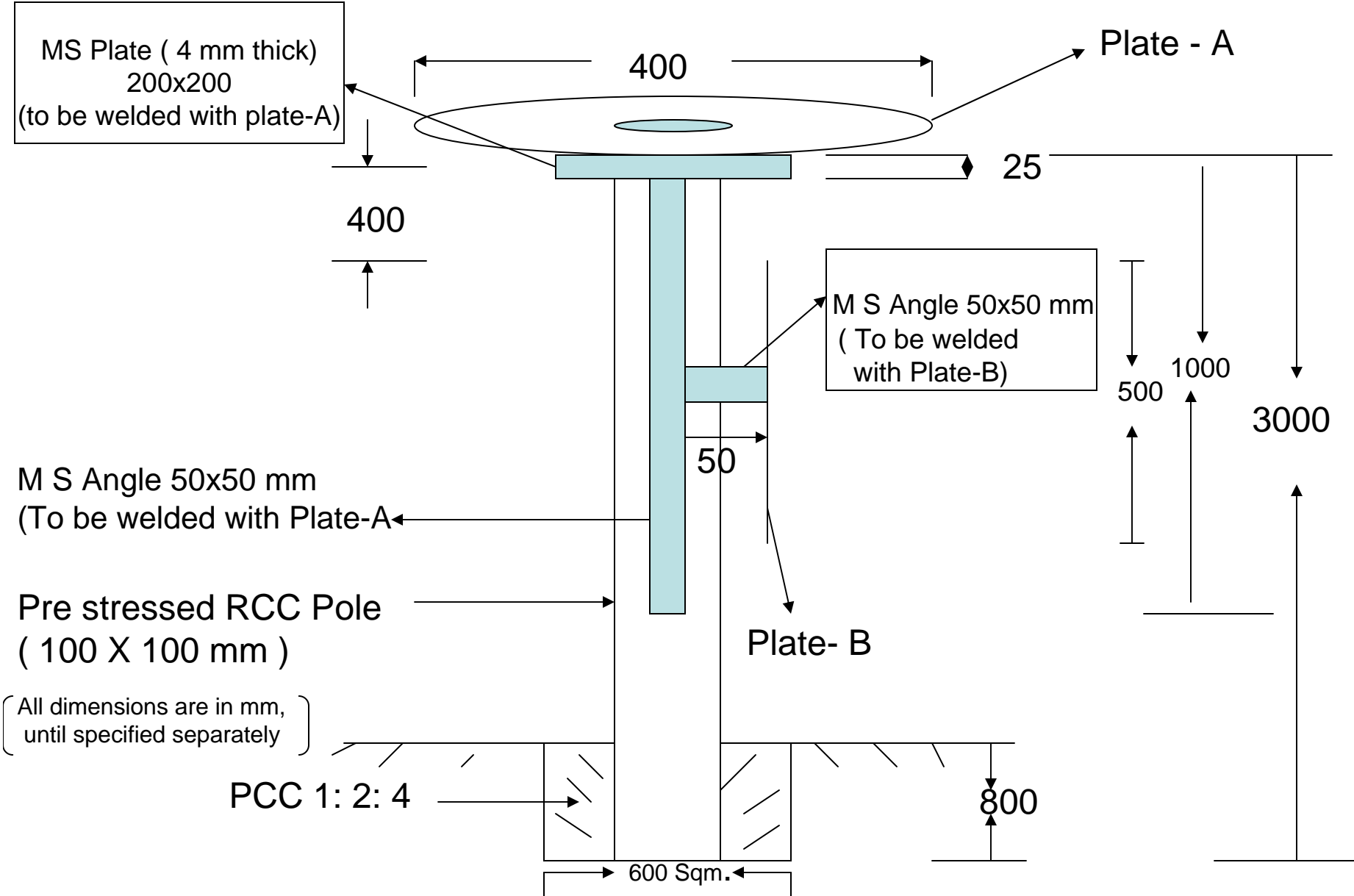
3000

25

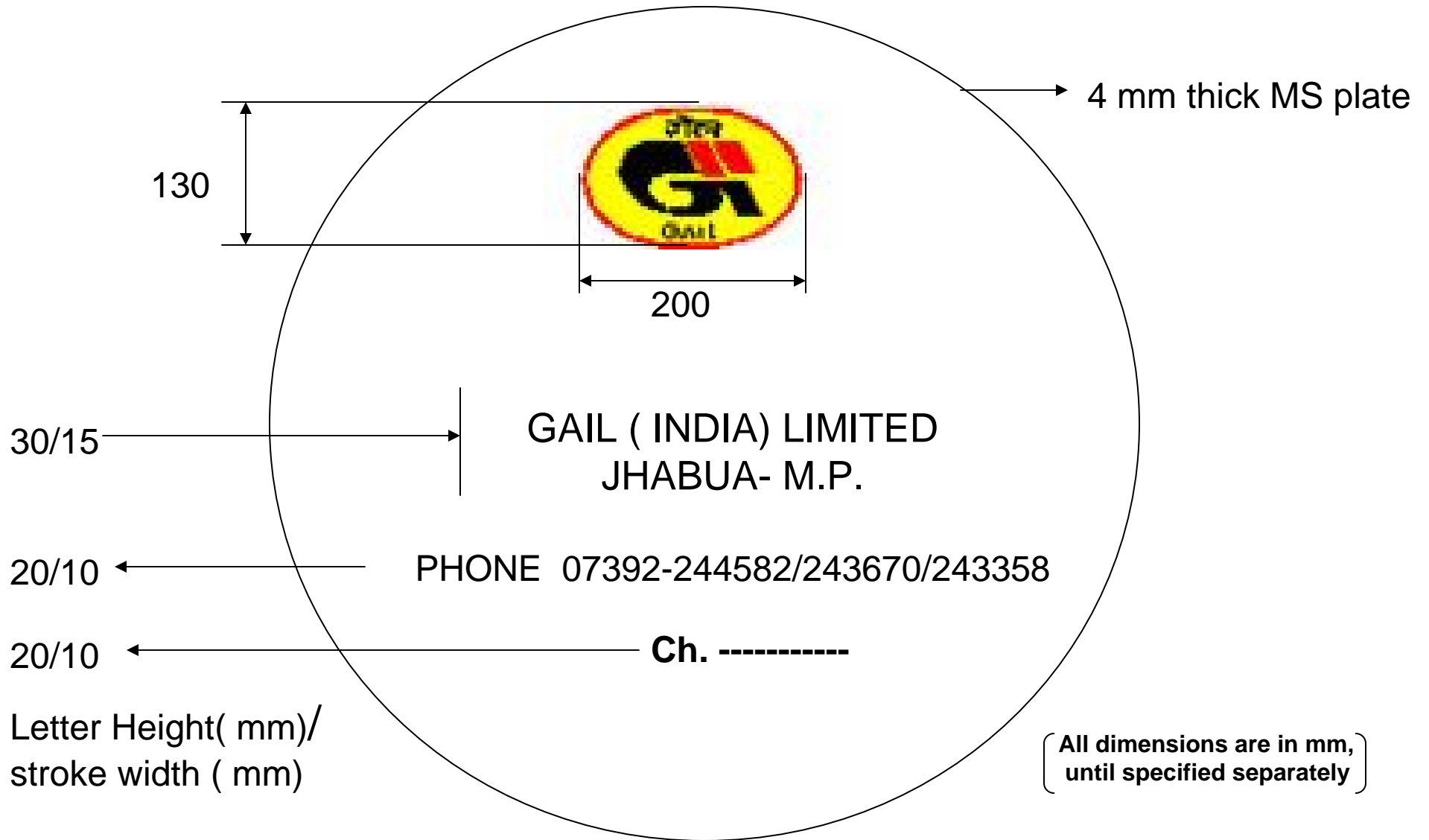
400

400

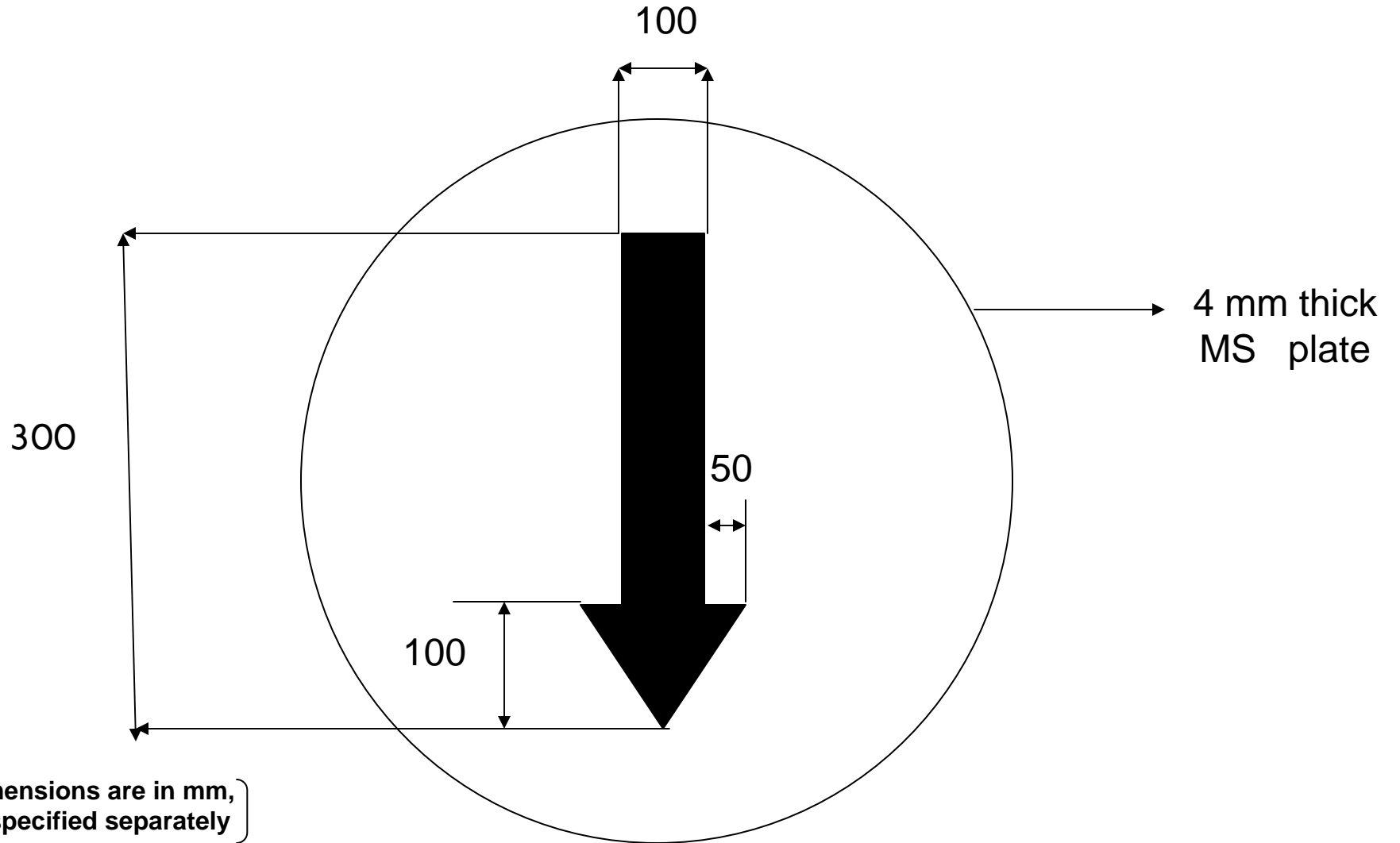
Direction Marker (Side View)



Direction Marker (Plate –B, 500 mm Dia.)

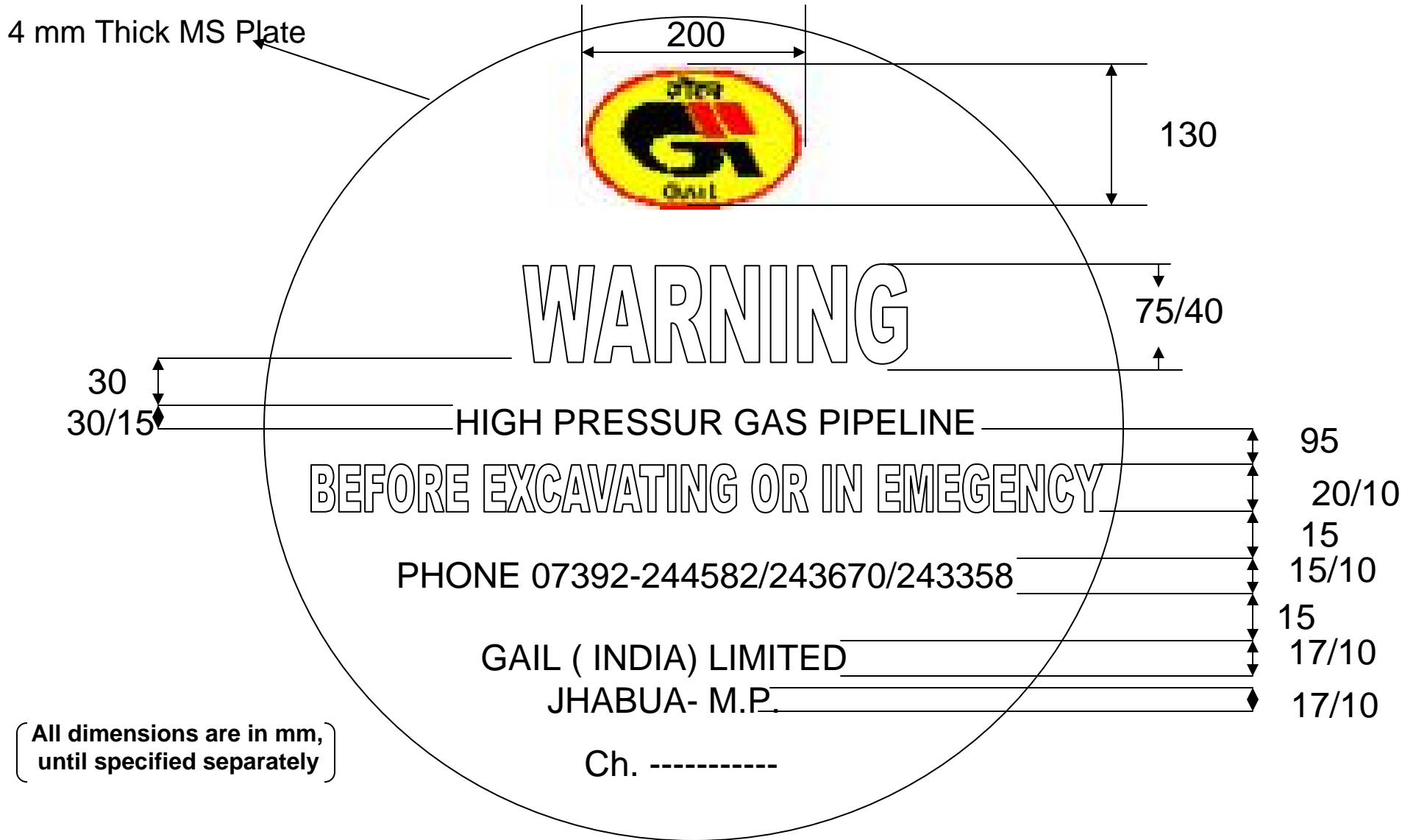


Direction Marker (Plate –A, 400 mm Dia.)



Arrow to be drawn on both sides of Plate

Warning Marker (Plate –B, 500 mm Dia.)



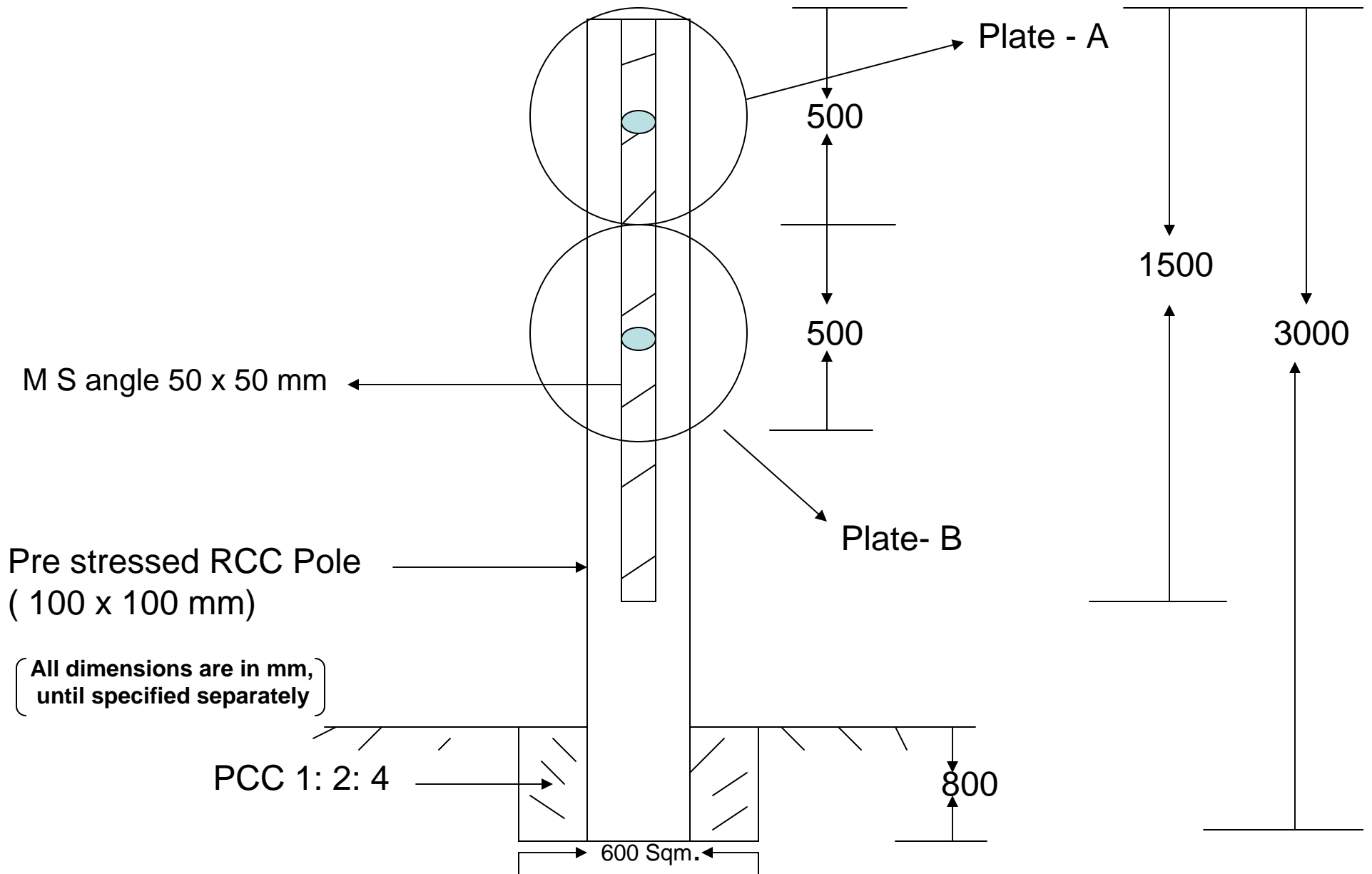
Warning Marker (Plate –A, 500 mm Dia.)

4 mm Thick MS Plate

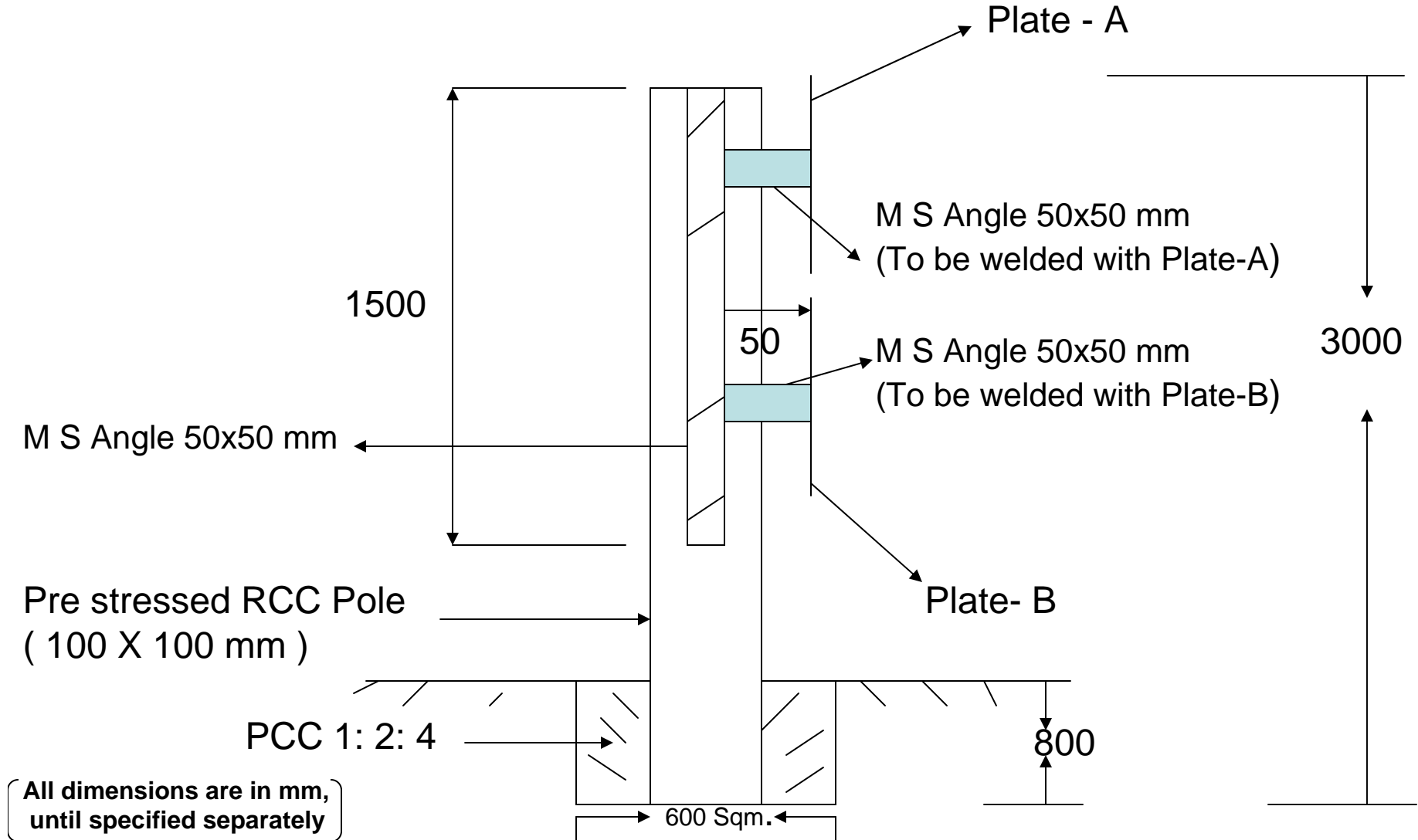


(All dimensions are in mm,
until specified separately)

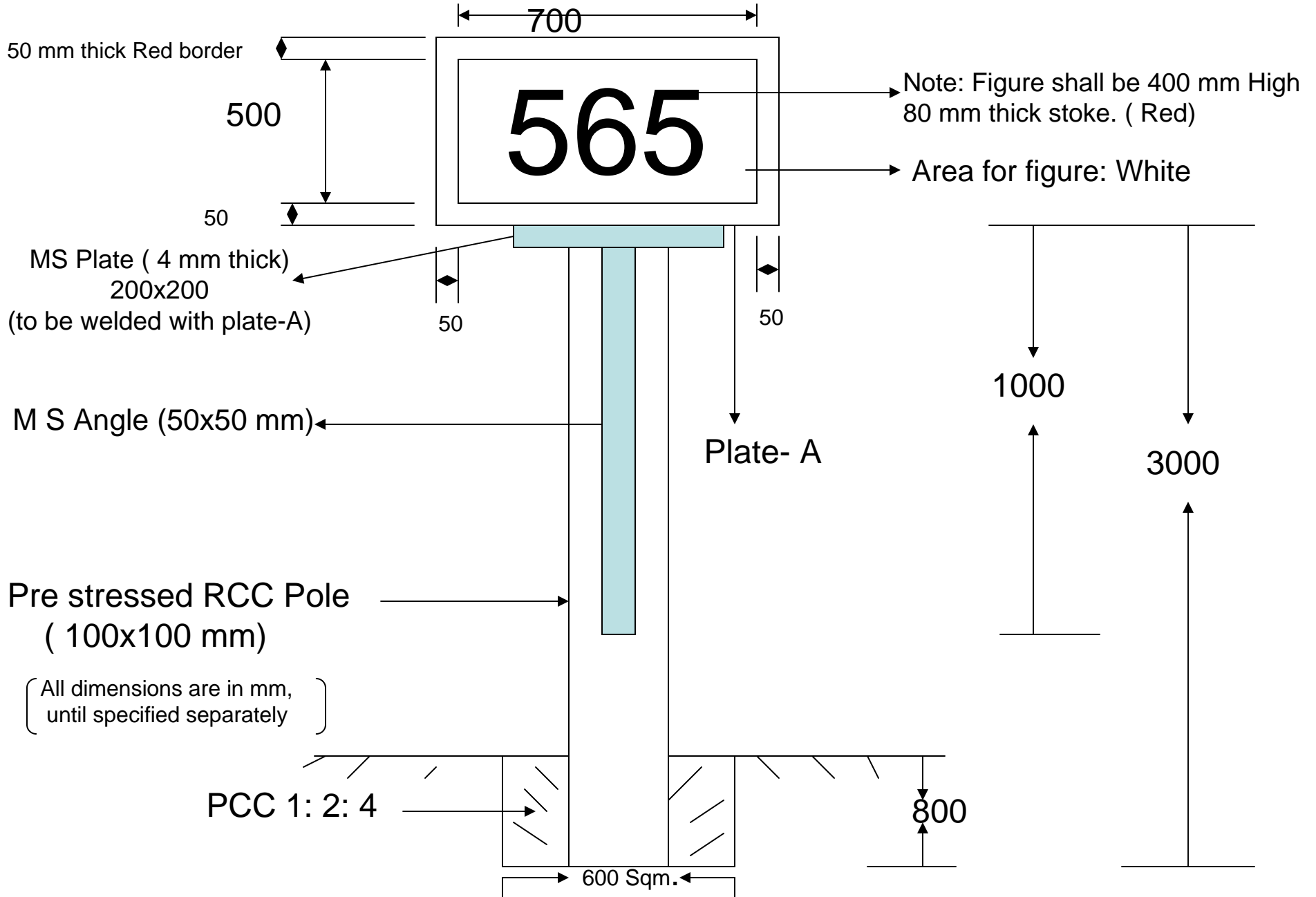
Warning Marker (Front view)

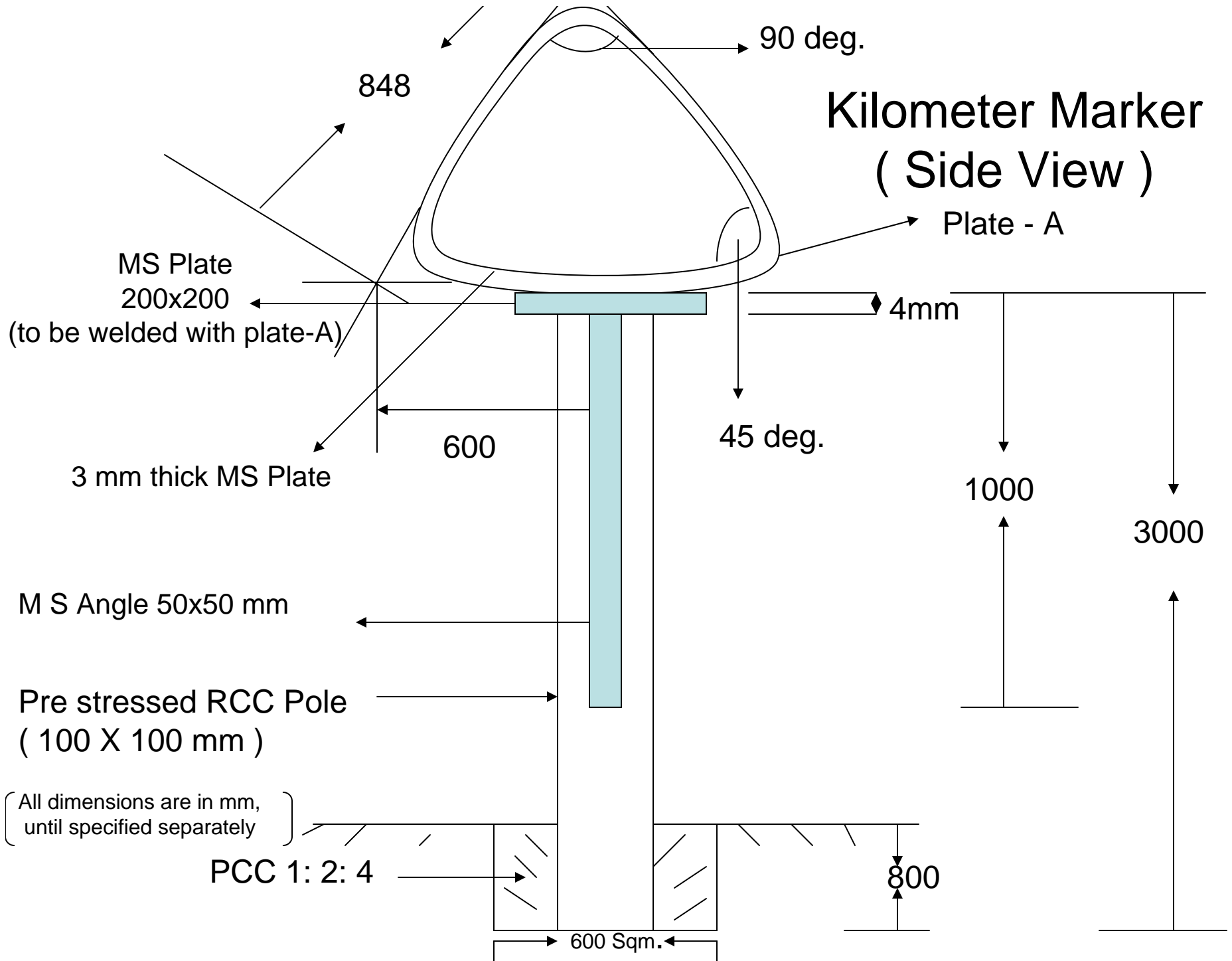


Warning Marker (Side View)

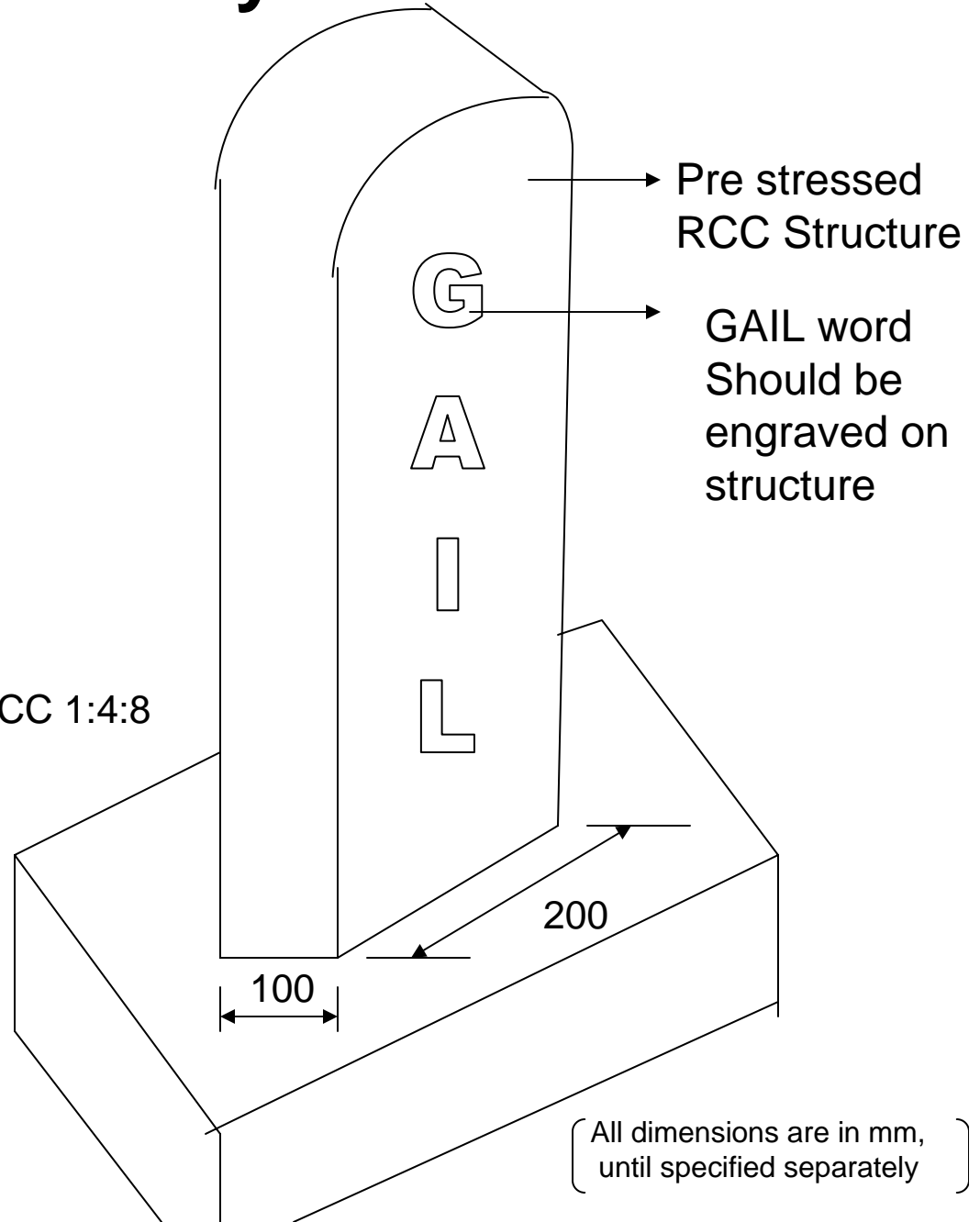
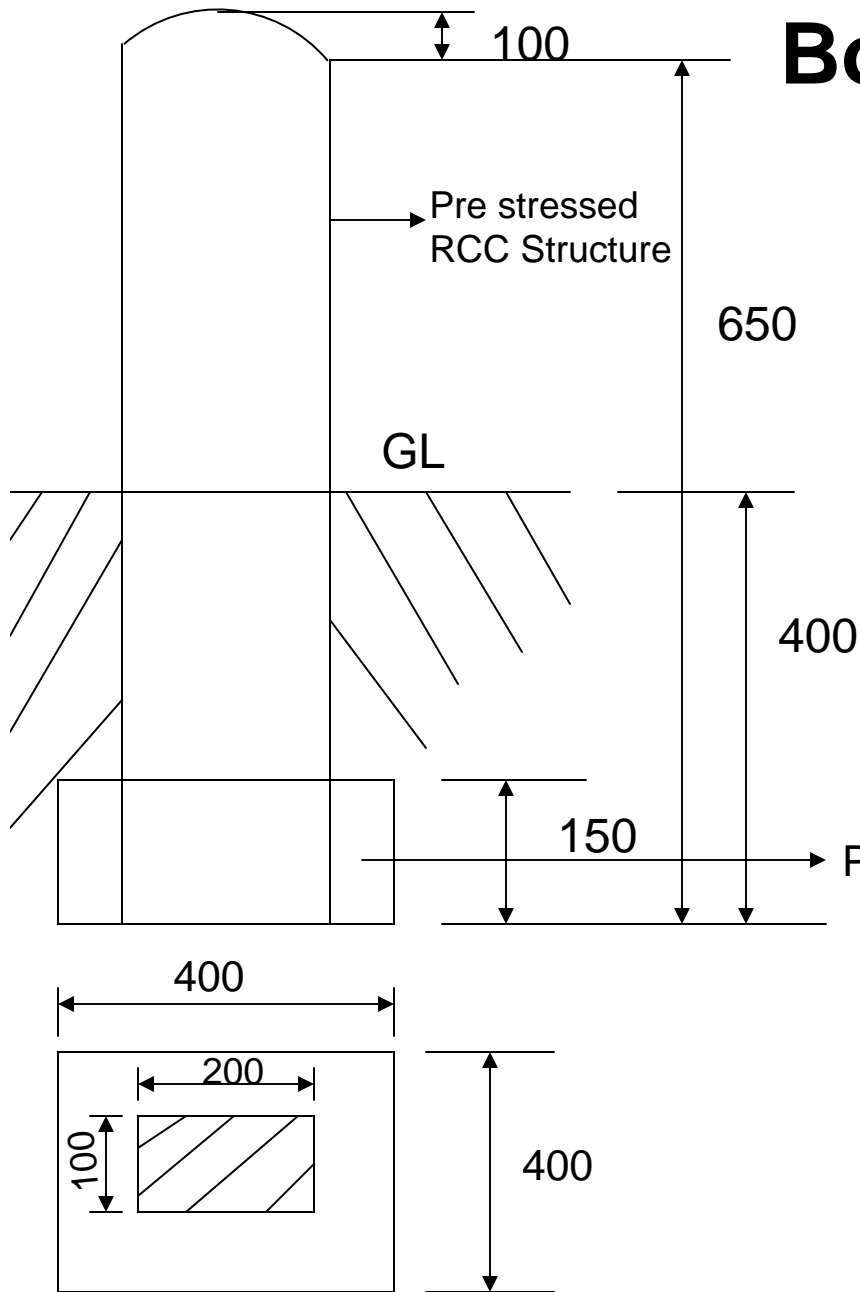


Kilometer Marker (Front View)



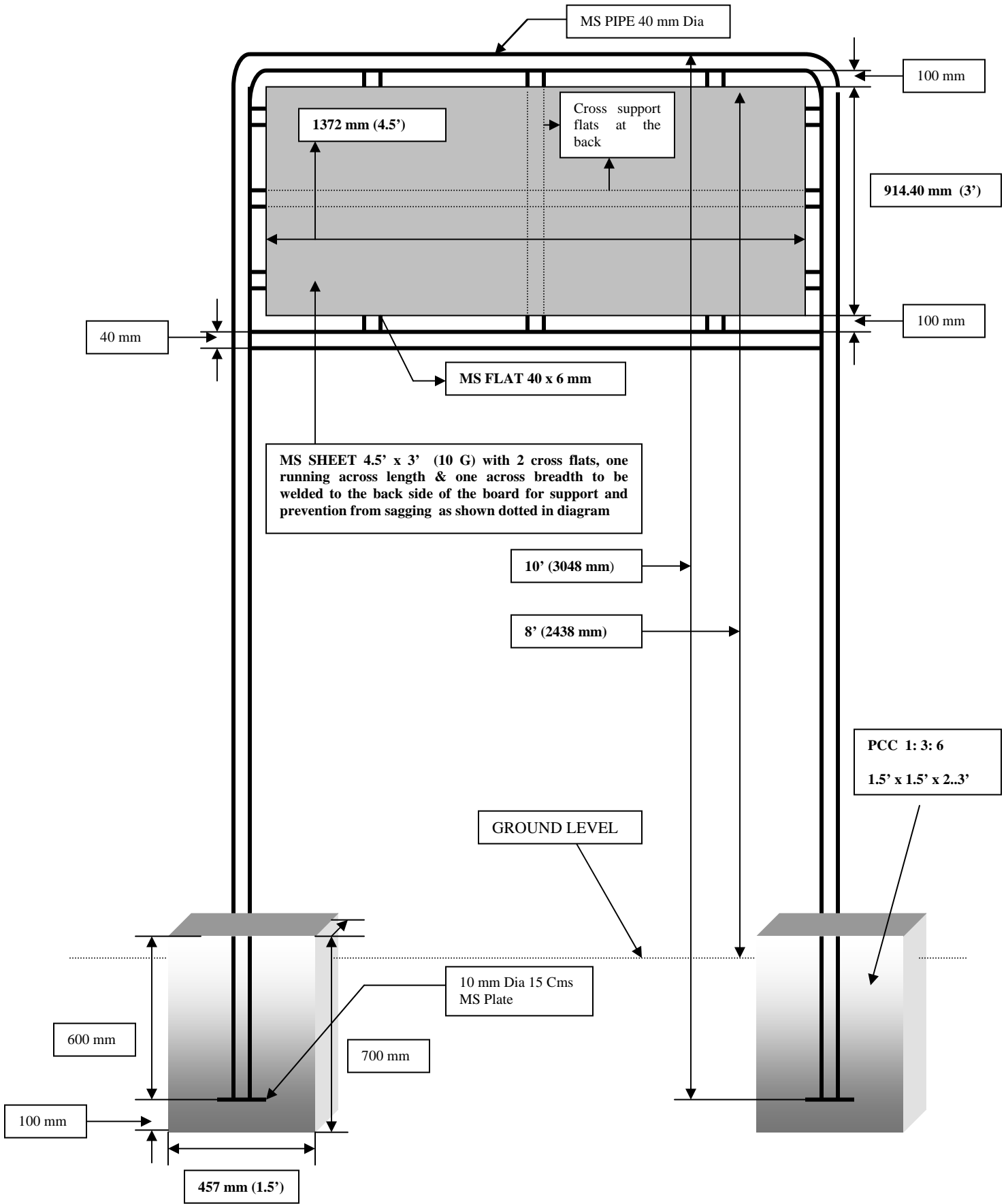


Boundary Marker



(All dimensions are in mm, until specified separately)

DETAILED SPECIFICATION FOR SAFETY BOARDS



Safety Board matter will be conveyed as per the requirement.



GAIL (India) Limited
(A Govt. of India Undertaking)
GAS RECEIVING TERMINAL
(Name of the Terminal)

IN CASE OF EMERGENCIES CONTACT

**Regd. Office : 16, BHIKAJI CAMA PLACE,
NEW DELHI – 110 066
Tel : 011 26172580, 26182955**

(Name Board)

SPECIFICATIONS FOR THE SAFETY/NAME BOARDS

BOARD MATERIAL SPECIFICATIONS

- 1) THE BOARDS ARE TO BE MADE OF MS SHEET OF SIZE 4' x 2'6" (10G)
- 2) THE BOARDS ARE TO BE FIXED ON TO A MS PIPE (40 MM DIA) GRADE B FRAME AS SHOWN IN THE DIAGRAMS IN ANNEXURES IV A & B.
- 3) THE BOARDS ARE TO BE FIXED TO THE GROUND USING PCC FOUNDATION AS PER THE SPECIFICATIONS SHOWN IN THE DIAGRAM

BOARDS PAINTING SPECIFICATIONS

- 1) THE BOARDS INCLUDING THE PIPE FRAME ARE TO BE PAINTED AFTER INSTALLATION WITH TWO COATS OF PRIMER AND ABOVE IT WITH TWO COATS OF ENAMEL PAINT.
- 2) MATTER TO BE PAINTED ON THE BOARDS CONSISTS OF SAFETY SLOGANS (LETTERING IN ENGLISH) /CARTOONS /PICTURES REGARDING SAFETY. THE WORK INVOLVES ARTISTRY WORK AS IS BASICALLY DONE BY SIGNBOARD ARTISTS. MULTIPLE COLOURS ARE REQUIRED TO BE USED FOR THE DRAWINGS AND SLOGANS.
- 3) MULTIPLE COLOURED MATTER/DRAWINGS/SLOGANS/LETTERING/ WORDS TO BE PAINTED ON THE BOARDS WILL BE FURNISHED BY THE ENGINEER-IN-CHARGE OF THE WORK

DETAILED SPECIFICATION FOR NAME BOARD

